



**The Warmest Aussie Legend**

## **Coonara Royal - Domain, Elite & Freestanding – Natural gas**

**Royal Domain**



**Royal Elite**



**Royal Freestanding with Pedestal Option**



**Royal Freestanding with Table Top Option**



# **CUSTOMER OPERATING INFORMATION & INSTALLATION INSTRUCTIONS**

**(For use with natural gas only)**

Serial Number of Heater: \_\_\_\_\_ Model: \_\_\_\_\_

***Royal Domain, Elite & Freestanding Gas Heaters***

ARE AUSTRALIAN OWNED AND MANUFACTURED BY

**SHAMIC SHEETMETAL (AUST.) PTY. LTD.**

PO BOX 8, KILSYTH, VIC. 3137

PH: 03 9737 5300

<https://shamic.com>

---

## **WARNING**

**THE FOLLOWING INSTRUCTIONS MUST BE CARRIED OUT OR WARRANTY BECOMES VOID.**

Heater must be installed by a Coonara authorised technician. A list of authorised technicians is available on <https://shamic.com> . You must obtain a license number from the installer.

Inbuilt and Freestanding Heaters must be placed on a flat level surface. Inbuilt models must be placed on 6mm AC sheeting, to prevent unit from rattling. Maximum flue length is 4.6 metres.

Heater must be checked for scratches or dents prior to installation.

All glass must be fitted with a screw driver not a drill. If glass is broken upon installation due to the screws being tightened too much, it will not be classed under warranty.

Coonara Royal Heaters are for use with both Natural & LPG Gas.

Further safety precautions and installation instructions are contained throughout this manual. Please read the manual before installation.

---

## **CONTENTS**

<b>PRODUCT FEATURES.....</b>	<b>4</b>
<b>SAFETY PRECAUTIONS.....</b>	<b>5</b>
<b>CONTROLLER OPERATING INSTRUCTIONS.....</b>	<b>6</b>
<b>CUSTOMER OPERATING INSTRUCTIONS.....</b>	<b>6-7</b>
<b>SAFETY FEATURES.....</b>	<b>7</b>
<b>INSTALLATION INSTRUCTIONS.....</b>	<b>8-17</b>
<b>PRESSURE ADJUSTMENTS.....</b>	<b>18</b>
<b>WIRING DIAGRAM &amp; PRESSURE SWITCH .....</b>	<b>19</b>
<b>BURNER REMOVAL .....</b>	<b>20</b>
<b>LOG SET.....</b>	<b>21-23</b>
<b>WARRANTY &amp; CARE OF APPLIANCE .....</b>	<b>24-26</b>
<b>TROUBLE SHOOTING GUIDE. ....</b>	<b>27</b>
<b>OVERALL HEATER DIMENSIONS .....</b>	<b>28</b>
<b>WARRANTY FORM &amp; CONTACT DETAILS.....</b>	<b>29</b>

**PLEASE STORE THIS MANUAL IN A SAFE PLACE FOR FUTURE  
REFERENCE**

# Product Features

## COONARA “ROYAL DOMAIN & ROYAL ELITE” INBUILT & “ROYAL FREESTANDING” GAS LOG HEATERS – NATURAL GAS

### NAME PLATE

MODEL-ROYAL				
GAS TYPE	LONG FLUE NATURAL GAS	SHORT FLUE NATURAL GAS	MANUFACTURER	
MODEL TYPE	Inbuilt/Freestanding	Inbuilt/Freestanding	<b>Shamic Sheetmetal (Aust.) Pty.Ltd.</b>  <b>PO BOX 8, KILSYTH, VIC. 3136</b>  To be installed by a Coonara authorised technician in accordance with installation instructions provided with the appliance.	
GAS INPUT HIGH LOW	36 MJ/h 26 MJ/h	36 MJ/h 26 MJ/h		
HEAT OUTPUT HIGH LOW Efficiency Injector Size	8.4 kW 5.9 kW 84.0 % 3.3 mm	8.4 kW 5.9 kW 84.0 % 3.3 mm		
Manifold Pressure High Low	0.60 kPa 0.35 kPa	0.60 kPa 0.35 kPa		
A.G.A. Approval Number	AGA 7048 G	AGA 7048 G		
Electrical Conform to AS3100		240v 50Hz 120Watts Max.		
<b>Air Pressure Switch</b>		<b>SIT ARIA 380</b>		
Cut in Pressure		100 PA		
Cut out Pressure		90 PA		
Electrical Connection		Standard Flex. 2 Mtr. 3 Pin Plug		
SERIAL No:		DATE:		

### Coonara Royal Domain & Elite Inbuilt & Freestanding Gas Log Space Heaters

- Zero Clearance to Combustible Materials
- 5.0 Energy Star Rating
- Remote Control
- Electronic ignition.
- Modulated heat settings
- External combustion air intake - prevents de-oxygenation of room air.
- Delayed start room fan - prevents cold air being circulated at start-up.
- Ability to duct heat to any neighbouring room up to 12m away from the heater – optional extra for Inbuilt models only.
- Power flue.

## SAFETY PRECAUTIONS



- **DO NOT** OPERATE THIS APPLIANCE BEFORE READING THIS INSTRUCTION MANUAL.
- **DO NOT** PLACE ARTICLES ON OR AGAINST THIS APPLIANCE.
- **DO NOT** USE OR STORE CHEMICALS/FLAMMABLE MATERIALS OR SPRAY AEROSOLS NEAR THIS APPLIANCE
- **DO NOT** OPERATE WITH PANELS, COVERS OR GUARDS REMOVED FROM THIS APPLIANCE.
- **DO NOT** ENCLOSE THIS APPLIANCE
- **DO NOT** MODIFY THIS APPLIANCE.
- **ALWAYS** SUPERVISE YOUNG CHILDREN NEAR THE APPLIANCE

NOTE: In the event the electricity supply cord is damaged, it must be replaced with an original Coonara part obtainable from your authorised dealer.

## SAFETY GUARD

**THE SAFETY GUARD AROUND THE GLASS DOOR IS FITTED TO THIS APPLIANCE TO REDUCE THE RISK OF FIRE OR INJURY FROM BURNS. NO PART OF IT SHOULD BE PERMANENTLY REMOVED. *IF HEATER IS DAMAGED*, DURING REMOVAL OF SAFETY GUARD, DAMAGE WILL NOT BE COVERED BY WARRANTY.**

**IT IS RECOMMENDED THAT A SECONDARY GUARD BE USED TO PREVENT ACCESS TO THE APPLIANCE BY YOUNG CHILDREN AS OUTER PANELS MAY REACH HIGH TEMPERATURES.**

## INSTALLATION

**THIS APPLIANCE SHALL ONLY BE INSTALLED BY A COONARA AUTHORISED TECHNICIAN IN ACCORDANCE WITH:**

- AS/NZ S 5601.1 (GAS INSTALLATION CODE)
- MANUFACTURERS INSTALLATION INSTRUCTION
- LOCAL GAS FITTING REGULATIONS, AND
- MUNICIPAL BUILDING CODES.

**SUITABLE ONLY FOR INDOOR INSTALLATION**

The Coonara Royal Domain, Elite & Freestanding Gas log space Heaters have been designed for a simple and efficient operation to provide you with a higher heat output than most other heaters in the market. The optional heat transfer kit means that your heater will provide you with a fully controlled modulated supply of heat, from a pleasant and steady warmth to the strongest heat output, to reach almost any corner of your home.

## **PRE OPERATIONS CHECKS**

Prior to operating the heater, ensure that the flue terminal is not obstructed. Furthermore, make sure there are no combustible objects leaning against, resting on, or within the immediate vicinity of the unit. Check that the heater main power and gas supply are connected and switched on.

## **OPERATING THE HEATER**

The heaters are operated by the room thermostat

- 1** - To ignite your heater press **Power Button** on the thermostat and the heater will automatically start the ignition sequence. Please refer to the Thermostat Operating Manual supplied for further instructions. After approximately 30 seconds of self-checking the heater will ignite.
- 2** - The heater will **always start in the low heat** setting and (unless already warm) the heater will **warm up for at least 2 minutes** before automatically going to the higher flame setting.
- 3** - The fan will not start until the heater has reached the minimum operating temperature.
- 4** - During first time firing of this appliance, an odour may be noticed for a short period of time while the paint cures. It is advisable to leave the windows open during the first few hours of the very first operation only.

## **TURNING THE APPLIANCE OFF**

Press power button on thermostat once. The room fan will continue to operate on & off until all residual heat is exhausted into the room.

Please note:

- 1** - This appliance cannot be operated without the fan running.
- 2** - Due to the performance and efficiency of the heater, steam may be noticed coming from the flue terminal on cool days.
- 3** - As this appliance has a luminous effect some slight carbon deposition may occur.

## **OPERATING THE ROYAL INBUILT AND FREESTANDING HEATER**

During first time firing of this appliance, an odour may be noticed for a short period of time while the paint cures. It is advisable to leave the windows open during the first few hours of the very first operation only.

When the heater is turned on there is an initial delay time (purge time) of 30 seconds. Once this time has elapsed, your heater will light via the electronic ignition system. Regardless of the heat setting, the heater will start on high for approximately 10 seconds before switching back to the last heat setting used. There will be a further 1 minute delay before the room air fan turns on.

When the room temperature is approaching the set temperature, the flame will begin to diminish. Once the room temperature reaches the set temperature the heater will go to minimum flame. If the room temperature begins to fall the flame will then increase. When the heater is turned off the room fan will continue to run for a further 2 minutes.

## **SAFETY FEATURES:**

**Automatic Pre-purge:** Before heater ignition this operation is done to evacuate any remains of gas or flue products from inside the firebox that could be the cause of a mishap.

**Automatic Shut-off:** Should the flame extinguish for any reason there is an automatic shut off of the gas supply.

**Over temperature protection:** In the event of the room fan failing, blockage of airways or incorrect gas installation, the gas supply will automatically shut off after 5 minutes. This is due to temperature increase and to prevent the appliance from over-heating.

**Warning:** This appliance must be installed to comply with AS/NZS 5601.1 codes and regulations and only by a Coonara authorised technician who is responsible for its correct operation at the time of installation and final commissioning.

**For your own convenience please record the following information in the space provided:**

### **Purchased from:**

**Name**.....

**Address**.....

**Phone No**.....**Date of purchase:**.....

**Serial No of appliance:**.....

### **To be completed by the installer:**

**Name**.....**Licence No**.....

**Address**.....

**Phone No**..... **Installation Date**.....

### WARNING

**Heater must be checked for scratches or dents prior to installation.  
Once the Heater is installed scratches or dents are NOT covered by warranty.  
Heater must be placed on a flat level surface.  
Inbuilt models must be placed on AC sheeting, to prevent unit from rattling.**

### INSTALLATION OPTIONS:

**\* ONLY TO BE CARRIED OUT BY A COONARA AUTHORISED TECHNICIAN!**

*The Royal Inbuilt Heater is a zero-clearance appliance and can be optionally installed in a false fireplace or wall cavity made of combustible materials such as wood or chipboard. Coonara provide the heater with their own flue kit, of flexible pipes of 60mm and 50mm diameter for the inlet and exhaust. For the gas supply a flexible hose is provided and must be used.*

**Notice:** For Horizontal flue installations more than 1 meter long, the air intake restrictor plate, located in the gas cowl inlet connection, must be removed by using a Tin-Snip or similar tool. See page 12.

### SERVICE INSTRUCTIONS - INBUILT

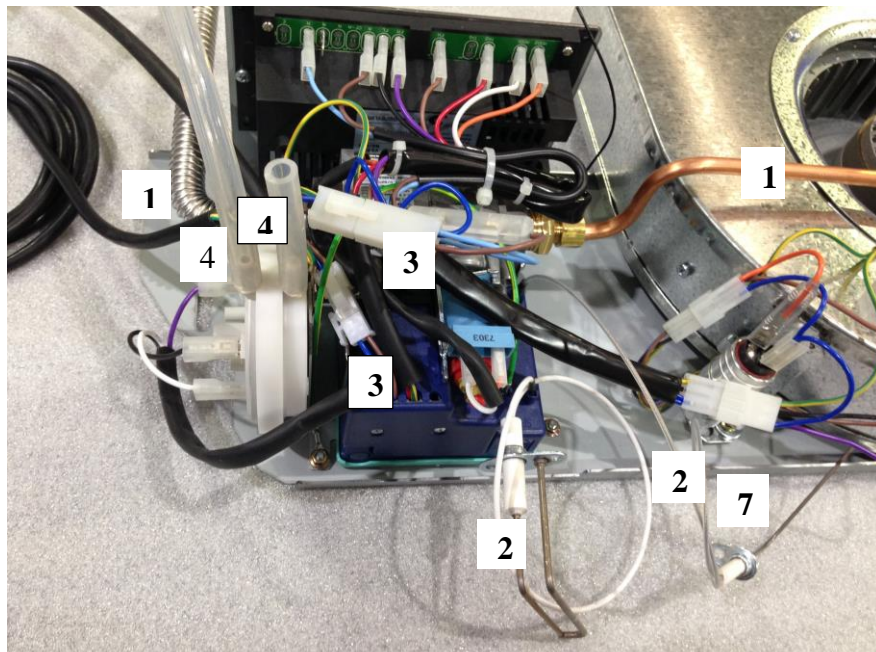
To access flue fan and the over temp switch, the heater needs to be removed. To access the log set the door frame and glass need to be removed. To access all other components the following steps apply:

To remove tray for service:

1. Undo gas connection going into gas valve and flow tube at firebox.
2. Pull out igniter cable x 1 and heat sensor cable x 1. These are clipped into blue box on RH side.
3. Unclip plastic wire connections (plugs) x 2.
4. Pull silicone tubes off pressure switch x 2.
5. Undo two wing nuts. Lift fan up and pull forward. The tray will come free for service.
6. To access firebox, read installation instructions Page 10.

#### To refit tray

7. Undo hex nut holding fan down. The nut is located behind the capacitor. Slide tray back in and pull forward. Then lock down with two wing nuts. Turn fan on slight angle so LH corner enters cut out first. Twist fan into position and fix with hex nut. Then follow dismantling procedure in reverse.





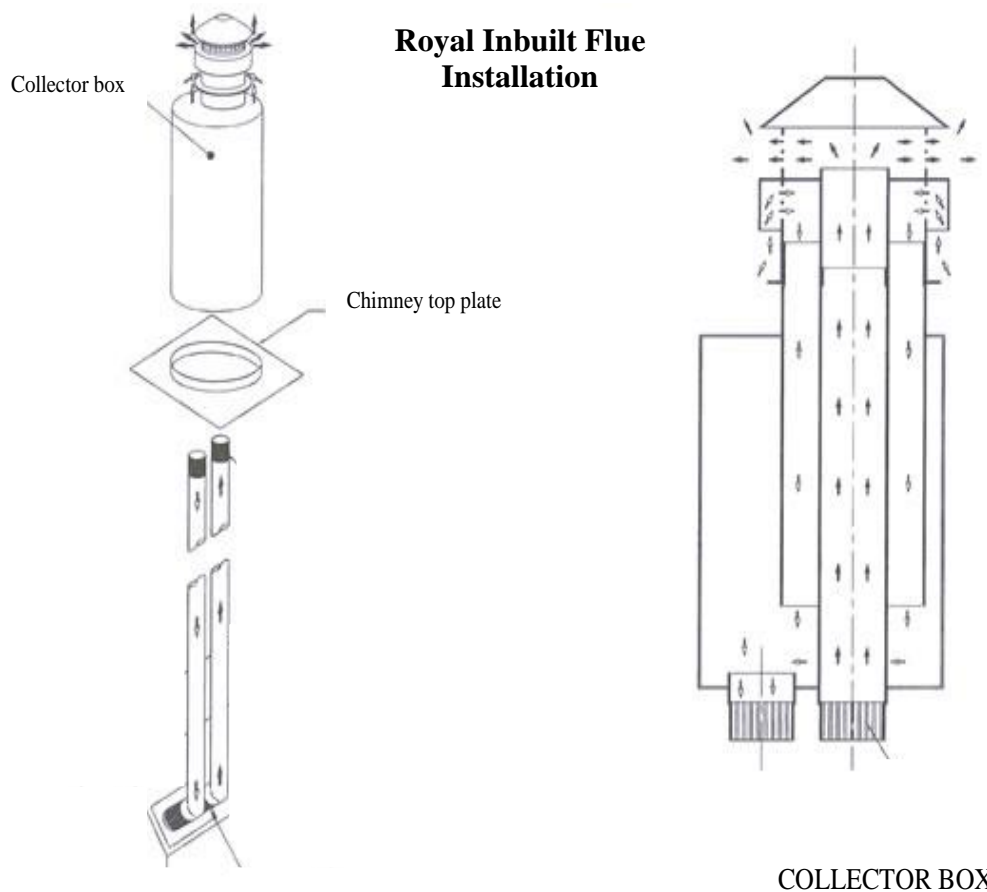
**ALL MODELS ARE TO BE PLACED ON A FLAT LEVEL SURFACE TO PREVENT RATTLES**

**VERTICAL FLUE INSTALLATION**

Flue is zero clearance and is suitable for chimney, tiled roof and tin roof installation.

1. Connect flue terminal to both flexible flue pipes.
2. Feed both flexible pipes down the flue cavity.
3. Fix flue terminal securely to top of the flue cavity and seal to prevent water entry. Seal with Hi temperature waterproof silicon sealant prior to cementing to chimney top, pop rivet circular flange to the collector box. (Chimney installation only).

**INBUILT MODEL ONLY**



Manufactured by SHAMIC SHEETMETAL (Aust) Pty. Ltd.

**NOTE: AIR INTAKE RESTRICTOR PLATE MUST BE REMOVED FOR FLUE LENGTHS OF MORE THAN 1 METRE.**

## **INBUILT & FREESTANDING Rear Vent Flue Installation**

1. Determine the exact location for the heater.
2. Mark the exact location for the wall penetration
  - a. Determine that you will not be cutting through any vertical wall studs.
  - b. Check that the location of the wall-mounted terminal conforms to the requirements of AS/NZS5601.1 – Location of a Flue Terminal.
3. Cut 2 holes 70mm in diameter at 160mm centres holes to be side by side in the horizontal.
4. Use the back of the cowl as a template for fixing holes.
5. Fit flex flue to spigots on the rear of the cowl using provided hose clamps and seal with silicone (high temp).  
NOTE- it may be necessary to trim the flue depending on wall thickness.
6. Attach the back of the cowl to the wall. Silicone around outside.

## **INSTALLATION - GAS PRESSURE TO GAS VALVE** **NAT 1.1 KPA**

**Only to be carried out by a Coonara authorised technician!**

1. Unpack flue kit and log set. (Packed inside with heater).
2. Carefully remove the cardboard carton surrounding the heater, then remove the heater from the pallet.
3. Position heater, locate and connect flue pipes to unit. Connect gas to the flexible connection line and check pressure coming in. Minimum pressure required – NAT GAS = 1.1. High and low settings on gas valve are factory set and should be correct. (Refer to page 4 for pressure settings.) Check these settings are correct. Do not adjust gas valve. Call the factory if settings are incorrect.
4. Remove door frame by undoing 2 screws on left hand side of the door & 2 screws on right hand side of the door.
5. Start by pressing **power button** on the thermostat and then follow the instructions in the thermostat manual supplied. Heater will not light for approx 1 minute. Once the firebox gets warm it will then go to higher temp. Switch off using **power button** on the thermostat. This may have to be done 2 – 3 times, until unit is purged.
6. Once heater is working, unpack log set and place in firebox, making sure you do not move the sensor or sparker when placing the logs.
7. Re assemble heater in reverse order.
8. **INBUILT HEATER** - Fascia Panel hooks on to the unit at the top. One screw secures the fascia at centre bottom under door.
9. **FREESTANDING HEATER** – The Bottom Panel clips on to the unit and is fixed by 1 screw, at the top of the panel, in the centre.  
To remove the bottom panel remove the screw at the top then with a small flat blade screwdriver gently prise the panel out towards you using the small slots on both sides of the bottom panel.

**INSTRUCT CUSTOMER OF CORRECT OPERATING PROCEDURE.**

### **INBUILT INSTALL INTO A STUD WALL CAVITY**

1. Mark the exact location of where the heater is to be located with an outline 720mm wide by 615mm high (minimum)
2. Check that location for the flue terminal conforms to the requirements of AS/NZS5601.1 Location of a Flue Terminal.
3. Cut out the plaster board and timber supports (re-position supports if necessary)
4. Continue as described on previous page.

### **INBUILT INSTALLATION THROUGH A WALL THAT REQUIRES A WEATHER COVER**

1. Mark the exact location of where the heater is to be located with an outline 720mm wide by 615mm high.
2. Check that location for the flue terminal conforms to the requirements of AS5601.1 Location of a Flue Terminal.
3. Cut out the plasterboard and timber supports (re-position if necessary). Cut out the outer brickwork.
4. Fit the outer weather cover over the exposed heater body and screw to the outer wall. Also use a silicon sealant.
5. Feed the gas line through the hole located at the lower right hand side of the outer weather cover (provided) and the flue pipes through the pre-punched hole for the flue pipes on the upper left hand side.
6. Locate the appliance. Connect gas.
7. Fit the cowl back to the outer weather cover (Also use a silicon sealant). As page 13 instructions.
8. Fit the cowl to the flue pipes and then to the weather cover.
9. Install heater as per instructions on page 13.

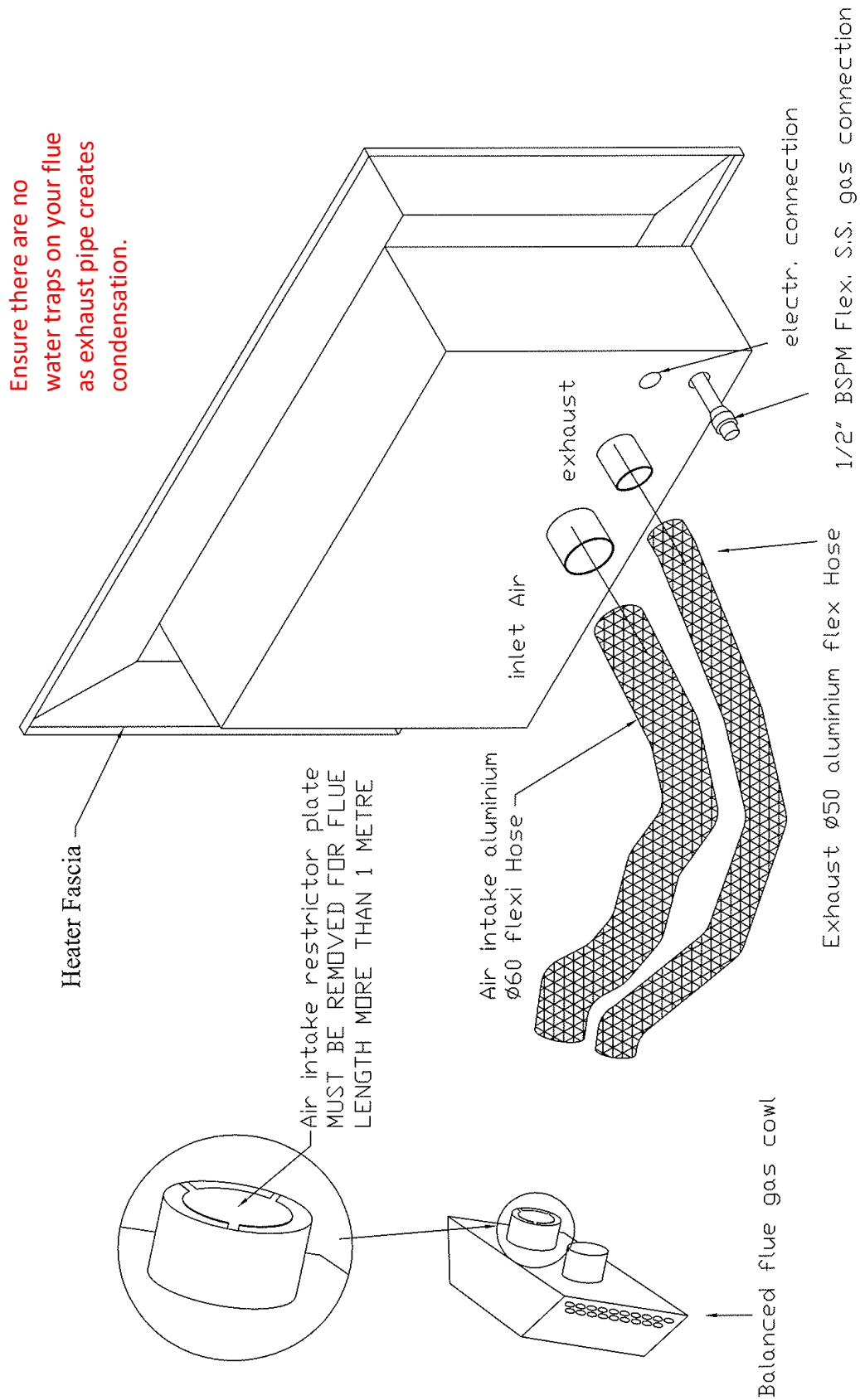
### **INBUILT EXTERNAL WEATHER COVER**

1. The weather cover has in the bottom RH corner a moveable plate for gas connections.
2. Pre punch holes to take cowl.
3. When the weather cover and cowl are attached it is necessary to seal the top and side edges with silicone to prevent water entry.

# Horizontal flue - through wall

**IMPORTANT !**

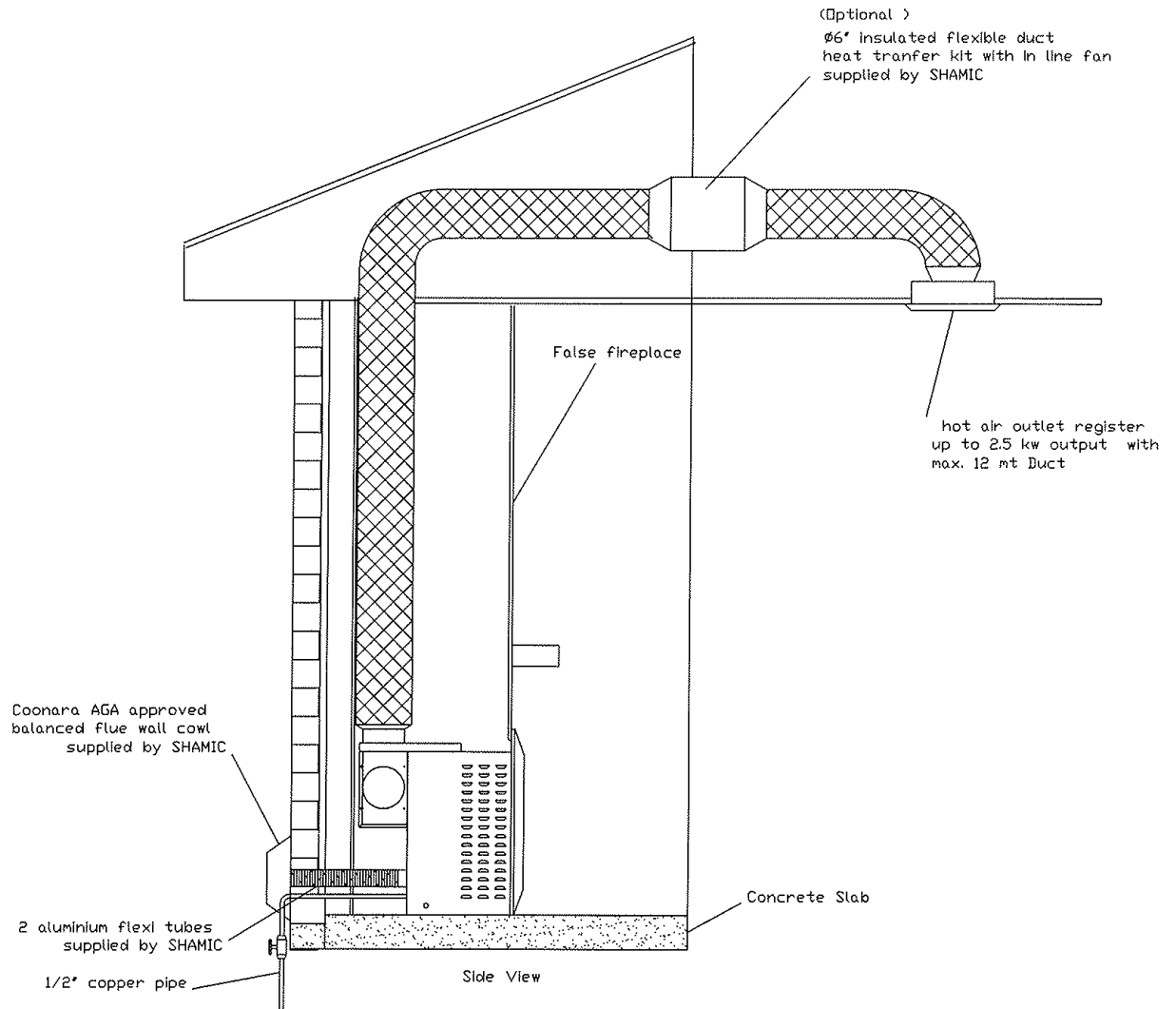
**The Royal Elite, Domain & Freestanding Gas Log Heaters must be vented directly to the outside.**



HorzflueClassic-01

**FALSE FIREPLACE ON CONCRETE SLAB AND WALL PENETRATION  
WITH SHAMIC HORIZONTAL FLUE KIT SHOWING OPTIONAL AIR  
TRANSFER SYSTEM.**

**INBUILT ONLY**

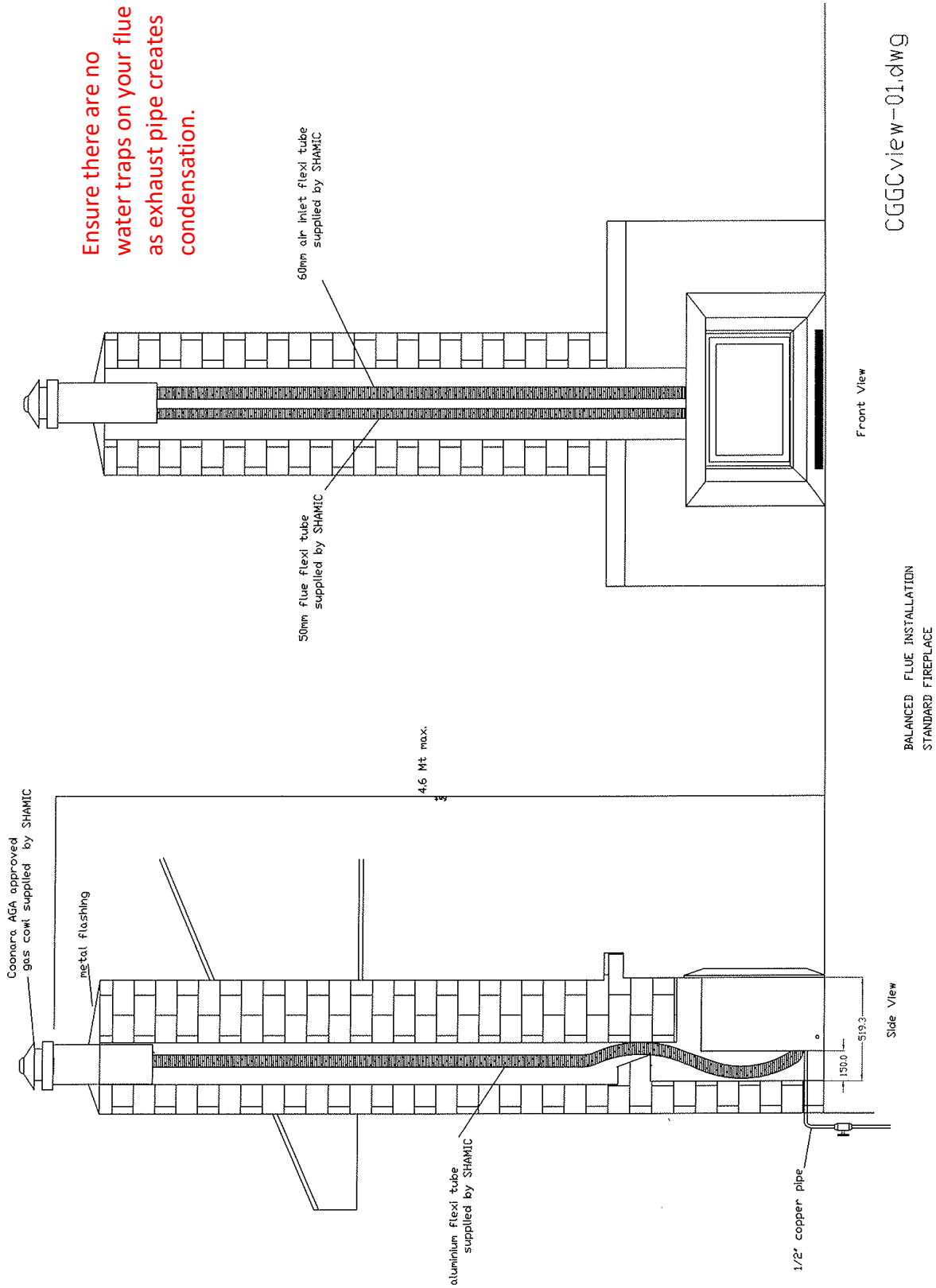


Wall penetration with Coonara Balanced flue

CGGCviews-02.dwg

**6mm Cement Sheeting required for floor installation.**

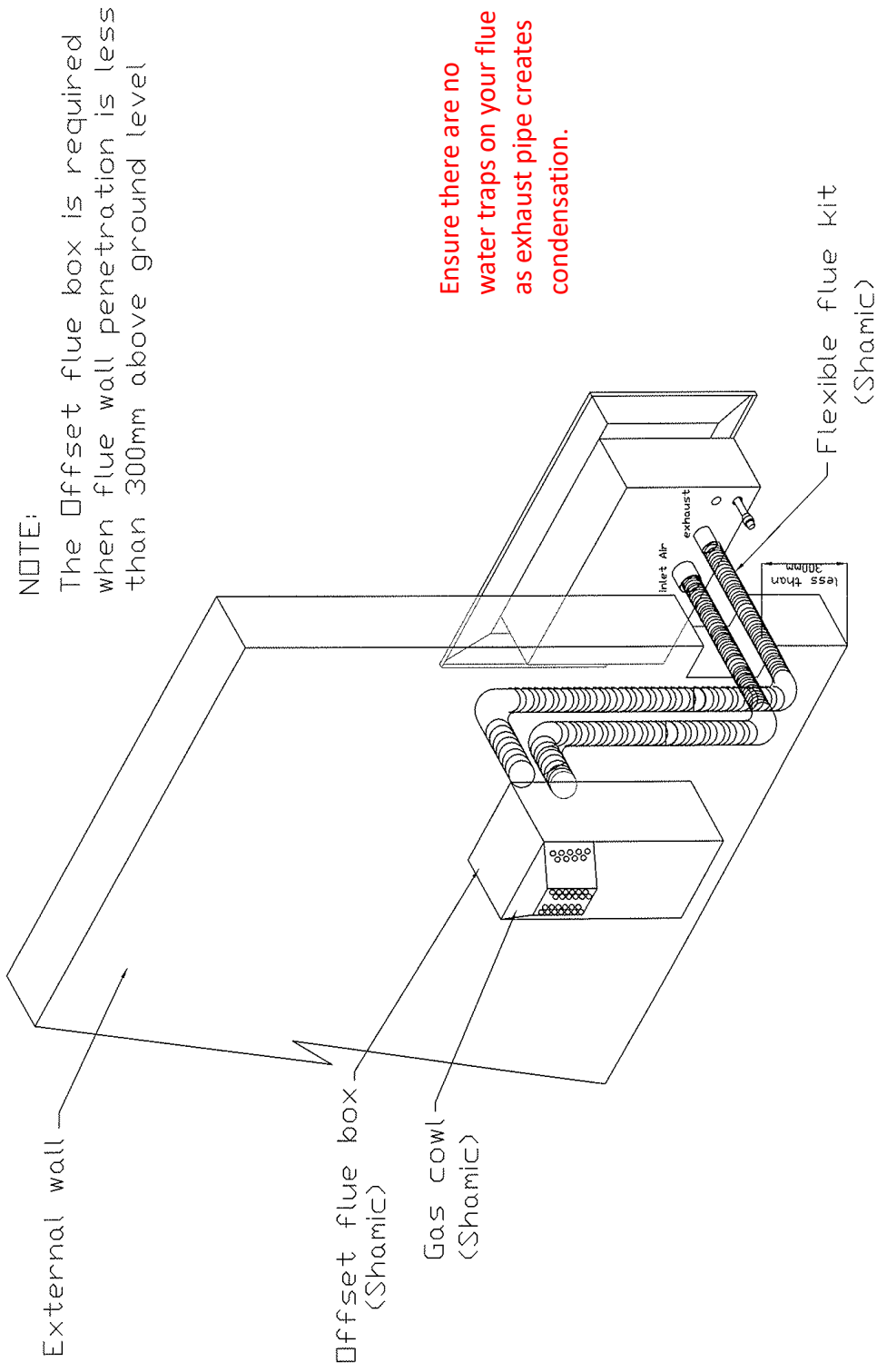
# INBUILT INSTALLATION



**6mm Cement Sheeting required for floor installation.**

## INBUILT REAR FLUE INSTALLATION WITH OPTIONAL OFFSET FLUE BOX

# Offset flue box

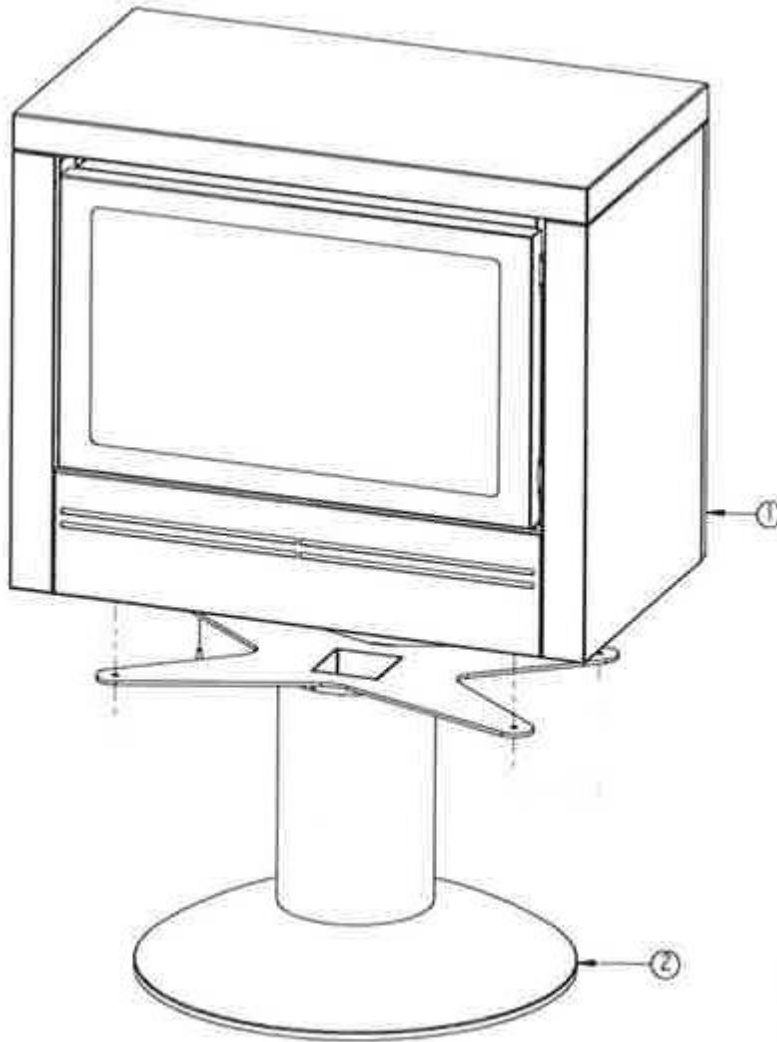


OffsetflueboxClassic01.dwg

**INBUILT & FREESTANDING** - The Offset Flue Box is used only when wall flue penetration has less than 300mm high from outside floor

## ATTACHING PEDESTAL BASE

Freestanding models come with the option of a round or rectangular pedestal.

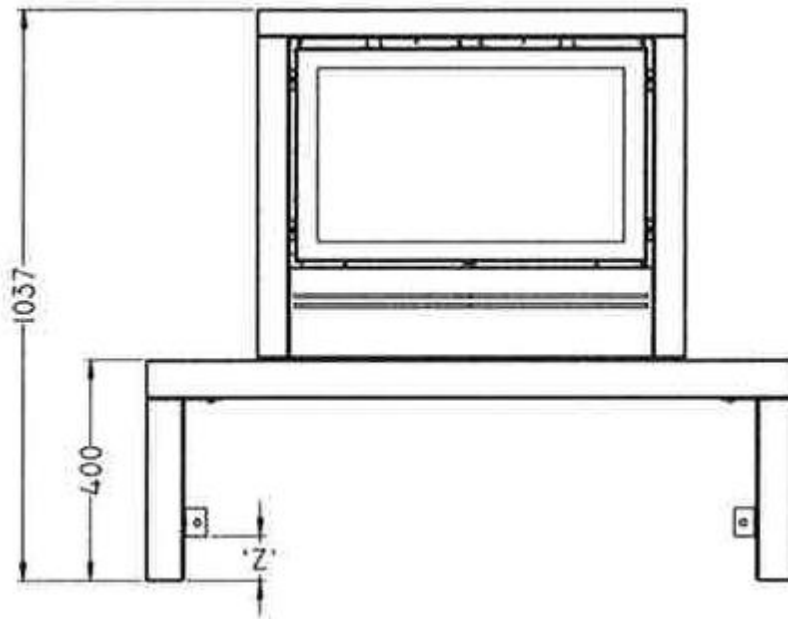


The following steps are required to attach the pedestal:

1. Place pedestal in required position
2. Place the heater onto the pedestal ensuring that holes on the pedestal bracket align with the holes on the base of the heater.
3. Secure pedestal to the heater with the bolts provided.



## ATTACHING AND ASSEMBLING TABLETOP

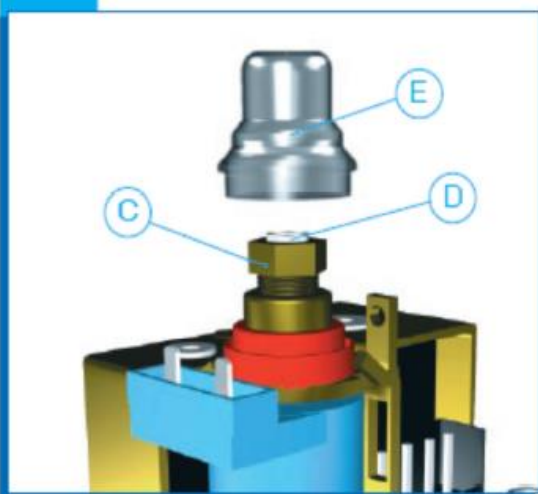


1. Assemble table by attaching upright legs to the tabletop, using the bolts provided.
2. Fix bracket to table assembly, using 4 x 8G x 3/8 screws provided. Height 'Z' will be determined at each individual installation
3. Place heater onto the tabletop, ensuring bolt holes are aligned
4. Secure heater to the table by inserting bolts provided from under the table.
5. Fix brackets to wall using 2 x M6x20 hex bolts and washers provided. This will be the final position of the heater.

## PRESSURE ADJUSTMENT

Your Coonara Royal Heater has been fully factory preset and adjusted and should not need to be re-adjusted during installation. Gas pressures still need to be checked to the pressures shown on Page 4 of this manual. But there will be some situations where some service has to be carried out and gas pressure may need to be re-adjusted as per the following instructions:

### 843/845 OUTLET PRESSURE ADJUSTMENT



All adjustments must be made on the basis of the specific characteristics of the appliance. Check inlet and outlet pressure using the pressure test points provided. After testing, carefully seal test points with the provided screws. Recommended torque: 1.0 Nm.

Disconnect pressure regulator connection "VENT" (if used).

Remove the modulator plastic cap E.

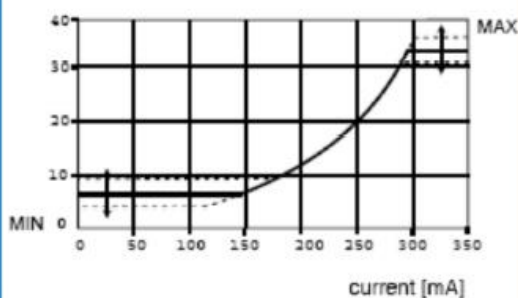
- Maximum pressure: power the modulator in the maximum condition. Screw in the nut C to increase the outlet pressure and screw it out to decrease it. Use a 10 mm spanner.

- Minimum pressure: Turn off the power supply to the modulator and, keeping the nut C stationary, screw in the screw D to increase the pressure and screw it out to decrease it. Screwdriver 6 x 1 blade. Carefully put back the modulator plastic cap. Reconnect pressure regulator connection (if used).

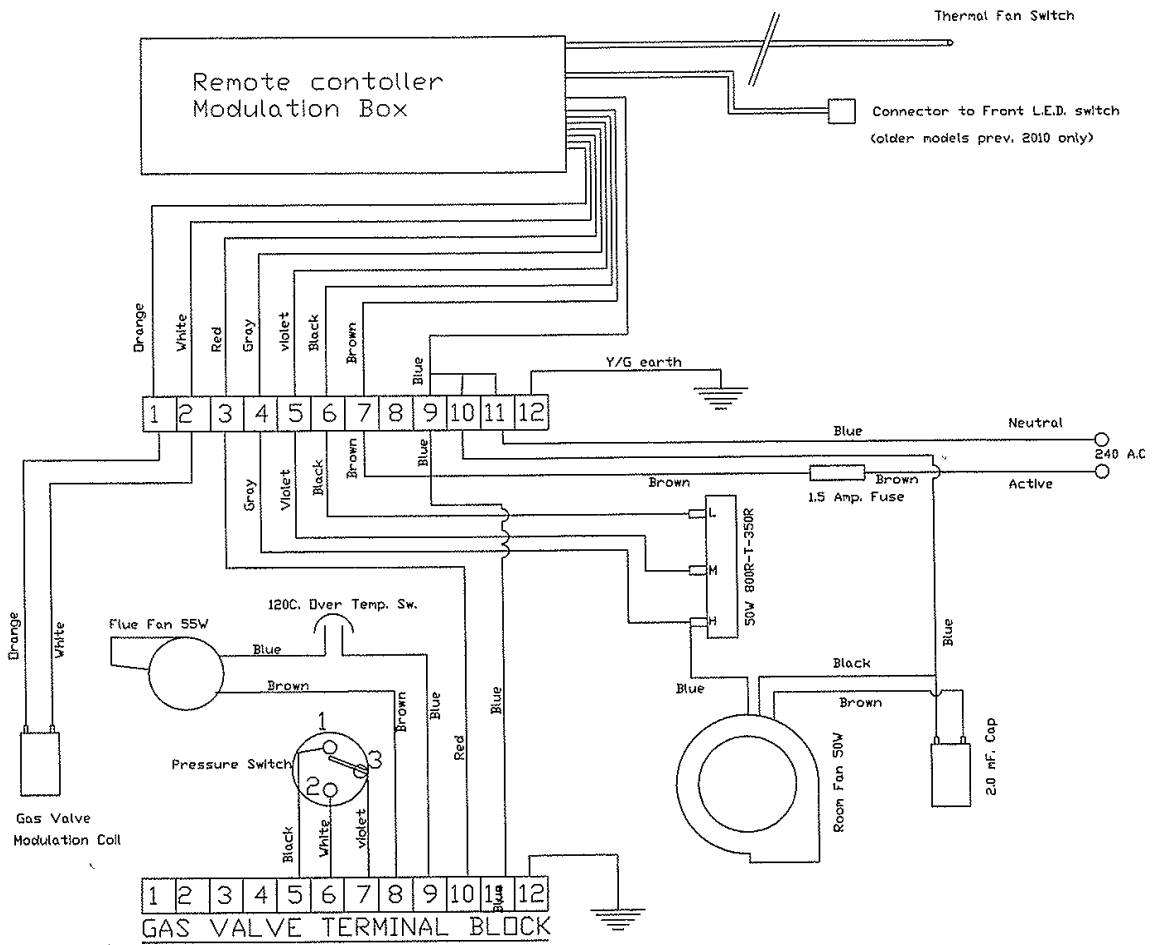
**WARNING:** to ensure the correct operation of the modulator it is necessary that the plastic cap E is returned to its original location.

845

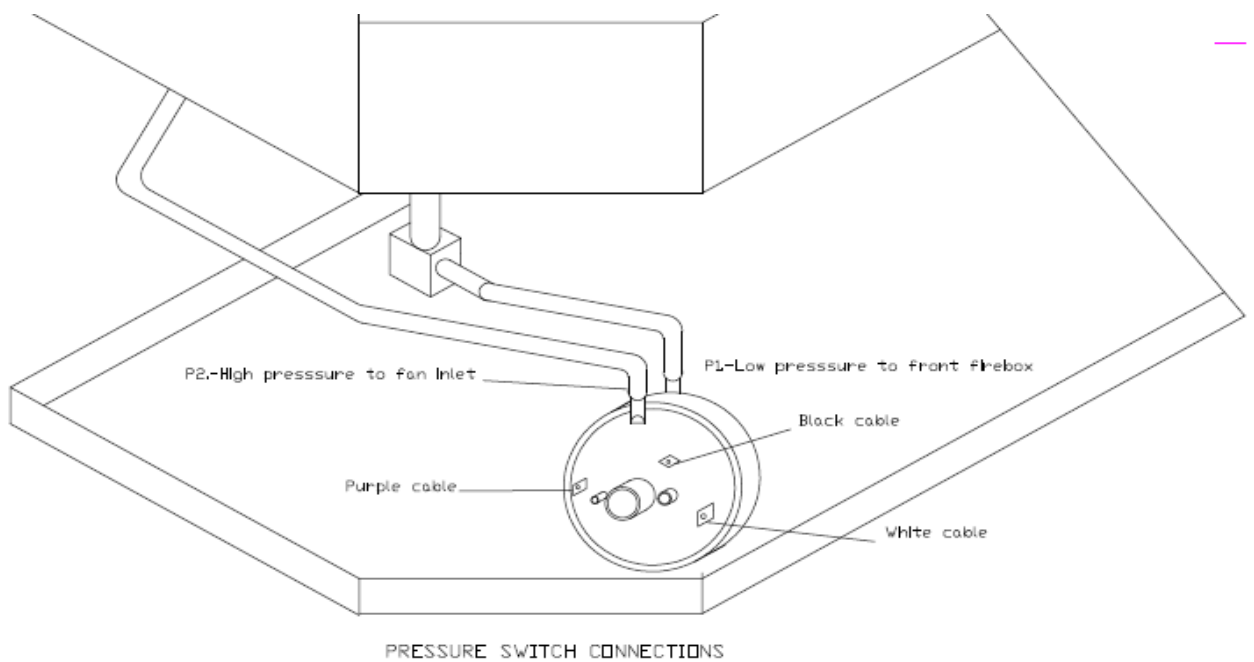
Outlet pressure  $P_u$  [mbar]



# WIRING DIAGRAM FOR THERMOSTAT (Sit Gear Tray)



## PRESSURE SWITCH



## **BURNER REMOVAL**

### **ONLY TO BE CARRIED OUT BY AN COONARA AUTHORISED TECHNICIAN**

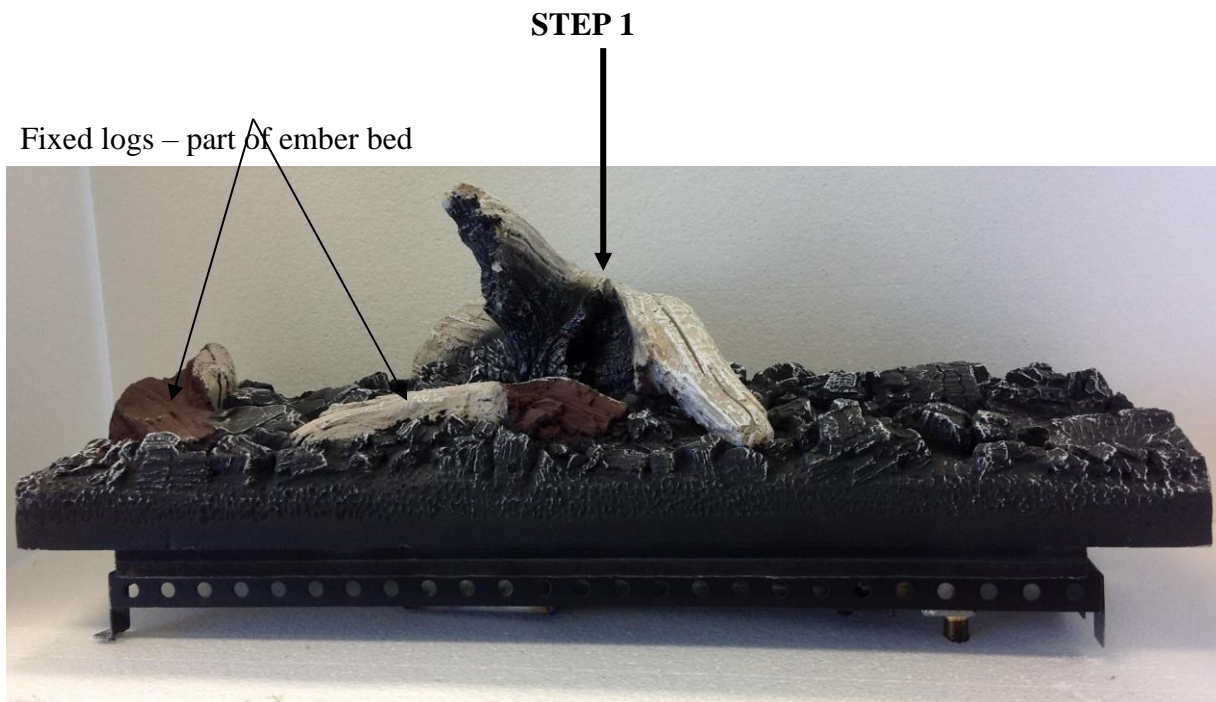
The Coonara Royal Domain & Elite burner is of composite type. The bottom part is made of Steel and the top is made of high temperature ceramic with the gas port holes and features embedded in the casting. The burner does not require any maintenance during the heater's operational life. The accidental cracking of the ceramic logs or burner could happen. If this occurs the part needs to be replaced by following these instructions:

1. Remove the self-taper screw, in the lower centre of the heater, that hold the Fascia in place. Then lift and pull the fascia towards you. This will unclip the two hanging hooks. (inbuilt only)
2. Undo the two self-taper screws below the door frame then lift and pull towards you to detach door.
3. Undo screws on the four glass retainers and carefully remove the front glass.
4. Carefully remove ceramic logs. Take note of positioning of all logs for when you reassemble logs. (see photos of log set positioning on page 22-24)
5. Remove M5 nut from under left hand side of the firebox. Then undo the gas pipe for the burner injector. Then remove brass nut from injector fitting. This will allow you to carefully lift and remove the whole burner assembly.
6. To assemble follow the same steps in reverse order.

# COONARA ROYAL DOMAIN & ELITE LOG SET LOCATION DETAILS

All logs have self-locating points moulded into them. This allows for accurate positioning of logs

**DO NOT INSTALL LOG LIKE THIS**



**STEP 2**



**STEP 3**



**STEP 4**



**STEP 5**



**STEP 6**



**LOG SET FRONT VIEW**



## **How to Make a Warranty Claim**

### **Coonara, Heatcharm, Arrow and Settler Heaters.**

The full Warranty Statement for your heater is contained in the Installation and Operating Instructions booklet that was provided with the product.

1. Check the details of the warranty statement
2. Determine if you think the problem is covered by warranty
3. Ensure that you have proof of purchase
4. Contact the retailer that sold you the heater
5. Advise them of the specific problem
6. Provide the details that your retailer requests to complete a Warranty Claim Form. This must include the heater model, serial number and installation compliance certificate, if applicable in your State.
7. Your retailer will forward your claim to Shamic Sheetmetal (Aust) Pty Ltd, the manufacturer of the above heater brands
8. Shamic will contact you to acknowledge that they have received the claim, if the claim has been accepted and the next steps involved in fixing the problem
9. Parts and/or service is provided
10. Contact your retailer if the problem has not been fixed.



## **WARRANTY**

**DESIGNATION OF WARRANTOR.** This warranty is extended by Shamic Sheetmetal (Aust) Pty. Ltd with respect to Coonara gas heaters.

**PRODUCT.** This Coonara Gas heater is comprised of the heater proper (including components and firebox), fan assembly, speed control switch, electrical components, gas valves, seals and moving parts. Except where specifically excluded from coverage hereunder, this warranty covers all components designed.

See exclusions and qualifications below for further information on product coverage.

### **WARRANTY:**

- 1) Shamic Sheetmetal (Aust) Pty. Ltd. warrants the firebox and the heat exchanger to be free of defects in materials and workmanship of a period of five (5) years from the date of purchase.
- 2) Shamic Sheetmetal (Aust.) Pty. Ltd. warrants that all other components of the unit to be free of defects in material and workmanship for a period of two (2) years from date of purchase, excluding door glass.
- 3) If this Coonara heater is found to be defective in material or workmanship Shamic will repair or replace such defects in the Coonara heater at Shamic's option in accordance with Coonara's warranty policy during the period on this warranty. If the defect is found not to meet the Consumer Guarantee requirements and constitutes a major failure, the purchaser may be able to choose to repair or replace the defective heater or part or obtain a refund.
- 4) Exclusions and qualifications. This warranty is subject to the following exclusions and qualifications.
  - a) This warranty extends only to the original consumer purchaser, who has purchased the heater from an authorised Coonara dealer.
  - b) This warranty does not apply to, and Coonara assumes no responsibility for any damages that result due to, installation or operation of the heater not in accordance with both the installation and operation instructions furnished with the unit.
  - c) This warranty does not apply to any heater which has been modified or damaged in shipping or by improper handling, improper operation, abuse, misuse, accident or unworkmanlike repairs.
  - d) Shamic Sheetmetal (Aust.) Pty.Ltd. does not warrant the structural performance of the heater when fuel products other than the specified gas fuels are used. Flammable liquid fuels are explosive and should never be used in this product.
  - e) Shamic Sheetmetal (Aust.) Pty.Ltd. expressly excludes any liability hereunder for defects or damage caused by the installation or of any components not expressly authorised and approved by Shamic. Shamic further assumes no liability for defects or damage caused by any modification not expressly authorised and approved by Shamic. Unauthorised components or modifications could create a fire hazard by altering the safety design of the heater.
  - f) Building Codes. Since building code requirements vary, users should determine in advance whether there are any building code restrictions on the installation or use of the heater. Shamic makes no representation of warranty regarding building code compliance and shall not be responsible for compliance therewith.
  - g) Shamic will only accept claims under this warranty in strict accordance with the conditions set out below.
- 5) Shamic Sheetmetal (Aust.) Pty. Ltd. shall not be liable for any breakages of glass and log components, transit damage or, where it can be shown that the consumer guarantee obligations as the manufacturer have been met, for any claim by any person for incidental or consequential damages caused by defects in the Coonara heater. Whether such damage occurs or is discovered before or after replacement or repair, and whether or not such damage is caused by Coonara negligence. Normal wear and tear items such as routine surface maintenance, seals and door glass are also excluded from this warranty.

- 6) Shamic goods come with guarantees that cannot be excluded under Australian Consumer Law. The purchaser is entitled to a replacement or a refund for a major failure and compensation for any reasonably foreseeable loss or damage. The purchaser is also entitled to have the goods repaired or replaced if the goods fail to be of acceptable quality and the failure does not amount to a major failure.
- 7) This warranty applies only to units purchased from an authorised dealer and the duration of this implied warranty, including merchantability, applicable to this Coonara heater is limited to the duration of the foregoing warranty.
- 8) Before Shamic Sheetmetal (Aust.) Pty. Ltd. will recognise or accept a claim under this warranty, you must provide proof of purchase. On purchase of the heater, despatch your warranty card to Shamic Sheetmetal (Aust.) Pty. Ltd.
- 9) Your authorised dealer must be notified of any defect in the heater, for investigation of the claim. Your authorised dealer will be able to explain the process of making a warranty claim and any costs associated with returning goods. In the event where a remedy is necessary and the claims under warranty are accepted, the purchaser may be required to return the goods to the authorised dealer for repair, replacement or refund.

### **CARE OF YOUR COONARA ROYAL GAS HEATER**

This appliance requires minimal maintenance; however, it is recommended that a qualified person make a full service and check annually.

The bottom fascia air grill should be removed by unscrewing the two screws and the fan vacuumed annually.

To clean the appliance, simply wipe over with a damp cloth. Do not use solvents or abrasive cleaning agents.

This appliance incorporates a live fuel effect and is designed to operate with luminous flames. The appliance may exhibit slight carbon deposit (sooting). Refer to the Troubleshooting Guide on page 27 for instructions relating to cases of excessive carbon deposit.

#### **Before making a service call check that:**

- 1 - Electrical power is on
- 2 - Gas is turned on
- 3 - There are no obstruction /blockages of the flue terminal.

# TRUBLE SHOOTING GUIDE

<b>PROBLEM</b>	<b>POSSIBLE CAUSE</b>	<b>REMEDY</b>
Appliance fails to ignite.	No gas supply or pressure insufficient.  No electrical supply.  Remote not pointed towards sensor  Incorrect gas valve adjustment.  Insufficient time allowed between attempts.  Internal wiring disconnected.	Ensure gas supply connected, purged, and pressure appropriate.  Ensure unit plugged in and switch is on, check supply fuse. Check supply. Active, neutral, & earth must be correctly orientated and connected. Point remote at bottom left hand corner of heater  Adjust valve pressures.  Wait at least 15 seconds for unit to purge combustion chamber after switching on.  Check all plugs inside appliance are connected properly and correctly located, Ensure operation of combustion fan & air pressure switch.
Appliance ignites then goes out	Check Polarity/Heat sensor bar	Check supply. Adjust as required. Active, neutral, & earth must be correctly orientated and connected.
Unit will not operate on Low.	Incorrect gas valve adjustment.  Incorrect or loose wiring.	Adjust valve.  Check wiring.
Room fan not operating.	Insufficient time allowed.  Loose wiring. Fan not located correctly. Fan blocked.	Fan has a delayed start and will not start until unit warms-up. Check wiring. Install fan in correct location. Remove and clean fan.
Unit cuts out after a period of time then cycles on and off.	See "Room fan not operating"  Heat exchanger blockage. Excessive pressure or incorrect gas type.	See "Room fan not operating"  Clean heat exchanger. Ensure correct gas type, injector size, and pressure setting.
Excessive carbon (soot) deposits on inside of firebox, logs, and/or glass.	Incorrect gas type or pressure setting.  Primary air shutter incorrectly adjusted for gas type.	Ensure correct gas type, injector size, and pressure setting. Adjust primary air shutter.
Excessive flame height.	Incorrect gas type or pressure setting.	Ensure correct gas type, injector size, and pressure setting.
Excessive flame "lift off"	Flue or inlet blockage.  Recirculation of flue gases.	Clear blockage.  Flue incorrectly installed.
Unit fails to heat.	See "Room fan not operating" Incorrect gas type or pressure setting. Gas supply blockage.	See "Room fan not operating" Ensure correct gas type, injector size, and pressure setting. Check injector, burner supply pipe, & valve for foreign matter.
Burner will not spark	Gap between burner & sparker should be 3mm	Remove front burner cover, using pliers. Bend tags holding sparker. <b><u>Do not bend sparker.</u></b>

**All service work to be carried out by a qualified & Coonara authorised technician**

## OVERALL DIMENSIONS

<b>Royal Domain</b>	<b>Royal Elite</b>
Overall Height <b>675 mm</b>	Overall height <b>636.3 mm</b>
Overall Width <b>859 mm</b>	Overall width <b>759 mm</b>
Overall Depth <b>460 mm</b>	Overall depth <b>460 mm</b>
Packed Weight <b>90 kg</b>	Packed Weight <b>90 kg</b>
Firebox Casing	
Height <b>600 mm</b>	Height <b>600 mm</b>
Width <b>705 mm</b>	Width <b>705 mm</b>
Depth (from rear of fascia) <b>430 mm</b>	Depth (from rear of fascia) <b>430 mm</b>

<b>Royal Freestanding</b>	<b>Royal Freestanding with Table Top</b>	<b>Royal Freestanding with Pedestal</b>
Overall height <b>872 mm</b>	Overall height <b>1037 mm</b>	Overall height <b>1036 mm</b>
Overall width <b>859 mm</b>	Overall width <b>1180 mm</b>	Overall width <b>775 mm</b>
Overall depth <b>435 mm</b>	Overall depth <b>575 mm</b>	Overall depth <b>560 mm</b>
Packed Weight <b>90 kg</b>	Packed Weight <b>90 kg</b>	Packed Weight <b>84 kg</b>
Firebox Casing		
Height <b>640 mm</b>	Height <b>640 mm</b>	Height <b>640 mm</b>
Width <b>775 mm</b>	Width <b>775 mm</b>	Width <b>775 mm</b>
Depth (from rear of fascia) <b>450 mm</b>	Depth (from rear of fascia) <b>450 mm</b>	Depth (from rear of fascia) <b>430 mm</b>



For your nearest authorised service company, please contact:

**SHAMIC SHEETMETAL (AUST.) PTY. LTD.**

14 – 18 Research Drive, CROYDON SOUTH, VIC. 3136

**POSTAL ADDRESS:**

**P.O. Box 8, KILSYTH, VIC. 3137**

Phone: (03) 9737 5300

Email: info@shamic.com.au

***DETACH AND RETURN BY MAIL***



NAME \_\_\_\_\_

ADDRESS \_\_\_\_\_

CITY/STATE/POSTCODE \_\_\_\_\_

PURCHASED AT (Dealer name & address)

\_\_\_\_\_

DATE PURCHASED \_\_\_\_\_ MODEL \_\_\_\_\_

SERIAL NO \_\_\_\_\_

WHERE DID YOU HEAR ABOUT ROYAL DOMAIN, ELITE OR FREESTANDING GAS HEATER?

RADIO, TELEVISION, NEWSPAPER, DEALER, WEBSITE, OTHER – PLEASE PROVIDE DETAILS:

\_\_\_\_\_